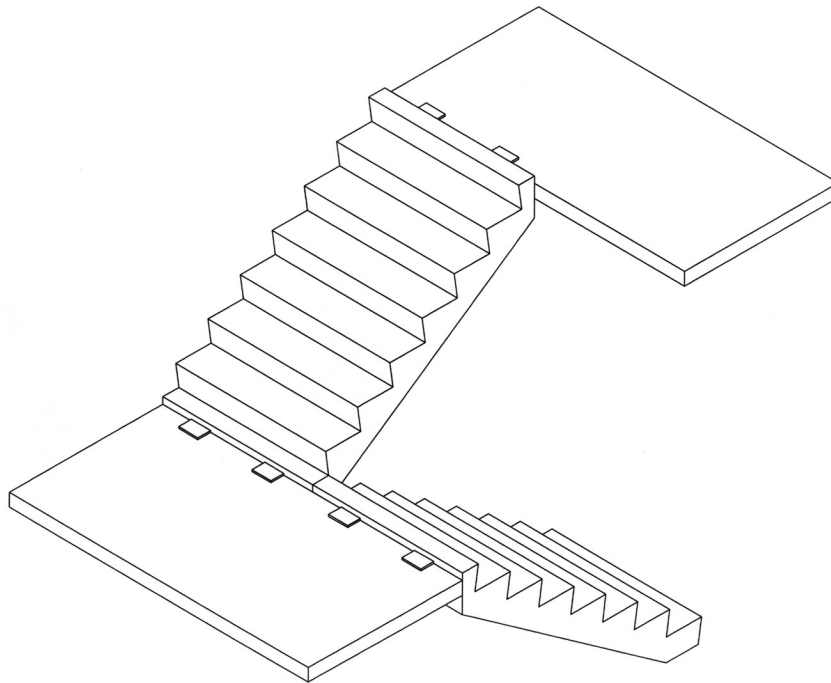




CEMENT INDUSTRIES, INC.

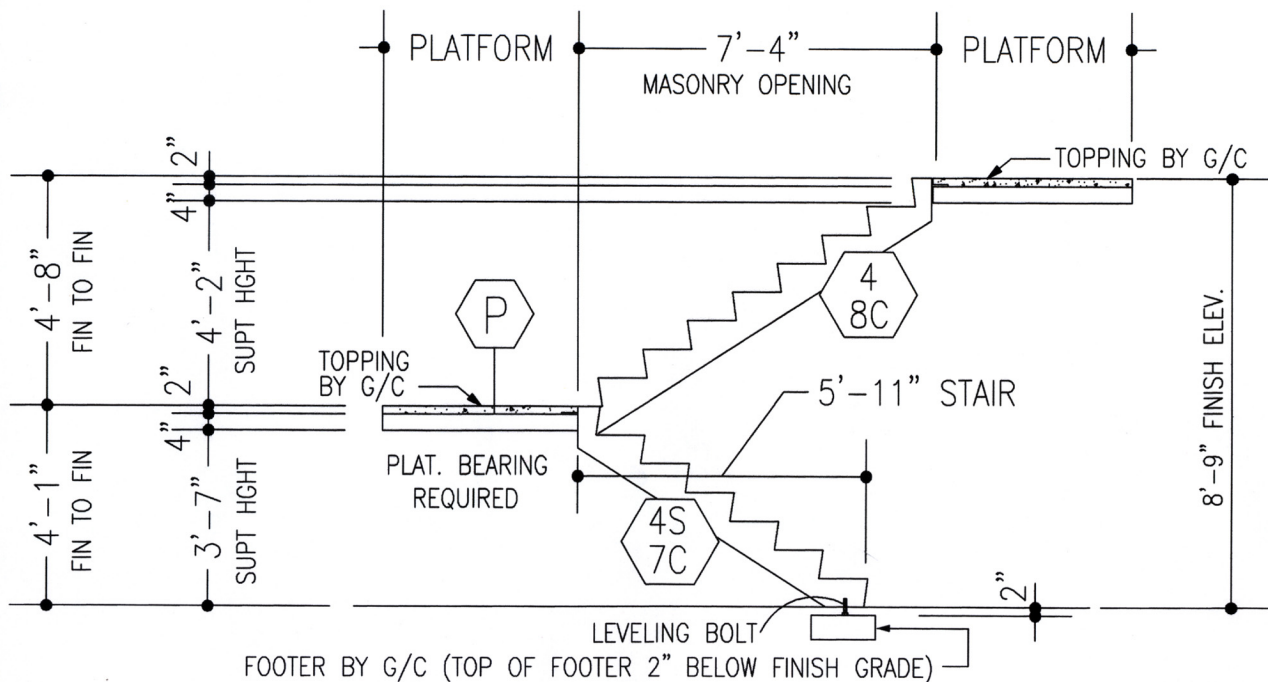
Precast Stair Details



Precast stairs manufactured by Cement Industries, Inc. are produced in a variety of configurations, riser heights and runs. The many different types of stairs available can accommodate most any finish to finish elevation and stair configuration.

Life safety code stairs have 11" treads and are currently produced in three riser heights. See the stair charts for rise, run and masonry opening information.

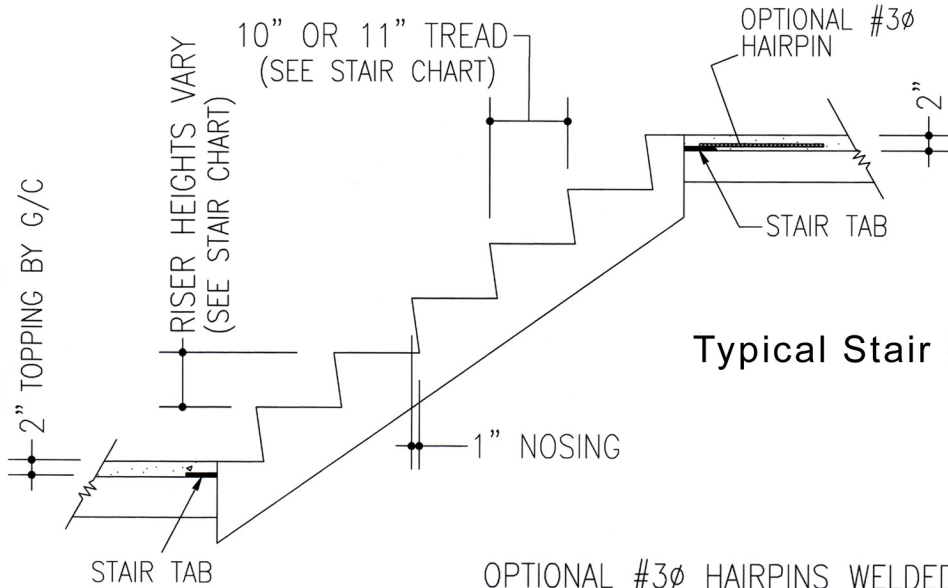
Non-life safety code stairs are currently produced in four riser heights. They are available for single family homes or in special situations where life safety code stairs are not required or desirable.



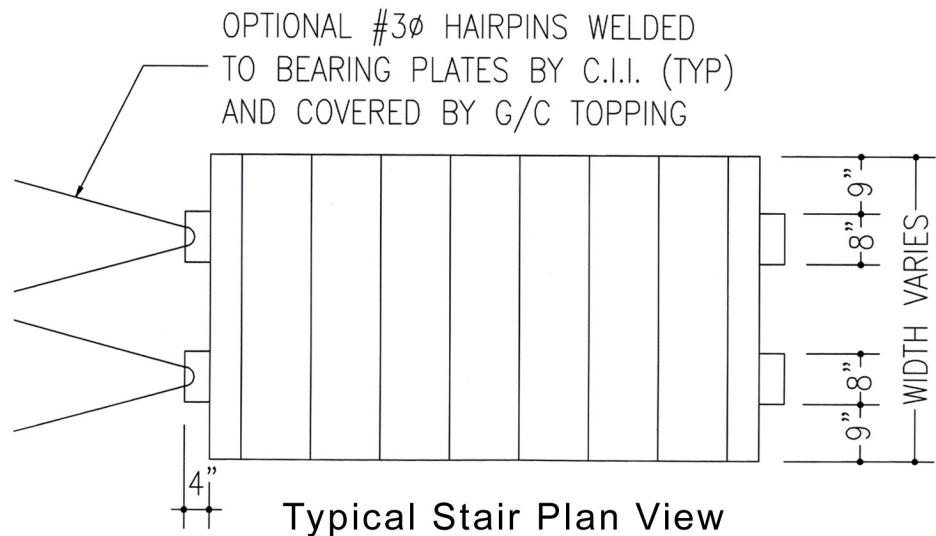
TYPICAL FOUR PIECE STAIR COMBINATION
(OTHER COMBINATIONS ARE AVAILABLE TO FIT VARIOUS ELEVATIONS)



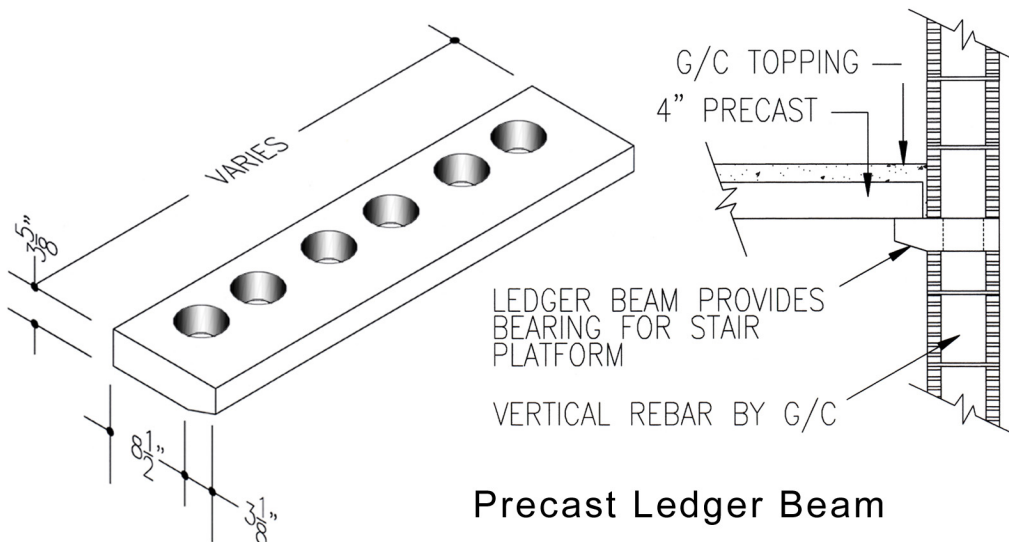
CEMENT INDUSTRIES, INC.



Typical Stair Side View



Typical Stair Plan View



USE OF LEDGER BEAMS ALLOWS THE MASON TO COMPLETE BLOCK WALL UNINTERRUPTED.

Precast Ledger Beam



CEMENT INDUSTRIES, INC.

PRECAST STAIRS

AVAILABLE STAIR WIDTHS ARE: 3'-0" ; 3'-6" ; 3'-8" ; 3'-11" ; 4'-6"
 TYPE C STAIRS ARE AVAILABLE IN SPECIAL ORDER WIDTHS UP TO 8'-0"

11" TREADS (LIFE SAFETY CODE)

10" TREADS

STAIR TYPE	<u>R</u>	<u>A</u>	<u>Q</u>	<u>C</u>	<u>L</u>	<u>H</u>
RISER HEIGHT	6.625	6.75"	6.875"	7.00"	7.28"	7.5"
RISERS						
3	19.88	20.25	20.63	21.00	21.84	22.50
4	26.50	27.00	27.50	28.00	29.12	30.00
5	33.13	33.75	34.38	35.00	36.40	37.50
6	39.75	40.50	41.25	42.00	43.68	45.00
7	46.38	47.25	48.13	49.00	50.96	52.50
8	53.00	54.00	55.00	56.00	58.24	60.00
9	59.63	60.75	61.88	63.00	65.52	67.50
10	66.25	67.50	68.75	70.00	72.80	75.00
11	72.88	74.25	75.63	77.00	80.08	82.50
12	79.50	81.00	82.50	84.00	87.36	90.00
13	86.13	87.75	89.38	91.00	94.64	97.50
14	92.75	94.50	96.25	98.00	101.92	105.00
15	99.38	101.25	103.13	105.00	109.20	112.50
16	106.00	108.00	110.00	112.00	116.48	120.00
17	112.63	114.75	116.88	119.00	123.76	127.50
**18	119.25	121.50	123.75	126.00	131.04	135.00
19	125.88	128.25	130.63	133.00	138.32	142.50
20	132.50	135.00	137.50	140.00	145.60	150.00
21	139.13	141.75	144.38	147.00	152.88	157.50
22	145.75	148.50	151.25	154.00	160.16	165.00
23	152.38	155.25	158.13	161.00	167.44	172.50
24	159.00	162.00	165.00	168.00	174.72	180.00
25	165.63	168.75	171.88	175.00	182.00	187.50
26	172.25	175.50	178.75	182.00	189.28	195.00
27	178.88	182.25	185.63	189.00	196.56	202.50
28	185.50	189.00	192.50	196.00	203.84	210.00

****NOTE: A MAXIMUM OF 18 TREAD & RISERS AVAILABLE AS A SINGLE UNIT BETWEEN LANDINGS**

EXAMPLES OF HOW TO READ THIS CHART:

OUR "C" STAIR HAS 7" RISERS & 11" TREADS AND 18 TOTAL RISERS REACH A 126" OR 10'-6" ELEVATION
 OUR "H" STAIR HAS 7.5" RISERS & 10" TREADS AND 20 TOTAL RISERS REACH A 150" OR 12'-6" ELEVATION

POST OFFICE BOX 823 FORT MYERS, FL 33902-0823
 PHONE (239) 332-1440 (800) 332-1440 FAX (239) 332-0370



CEMENT INDUSTRIES, INC.

STAIR LENGTHS AND MASONRY OPENINGS

RISERS	LIFE SAFETY STAIRS (11" TREADS)				10" TREAD STAIRS			
	STARTER STAIR LENGTH		CONTINUATION STAIR MASONRY OPENING		STARTER STAIR LENGTH		CONTINUATION STAIR MASONRY OPENING	
	INCHES	FT.-IN.	INCHES	FT.-IN.	INCHES	FT.-IN.	INCHES	FT.-IN.
3	27	2'-3"	33	2'-9"	24 1/2"	2'-0 1/2"	30	2'-6"
4	38	3'-2"	44	3'-8"	34 1/2"	2'-10 1/2"	40	3'-4"
5	49	4'-1"	55	4'-7"	44 1/2"	3'-8 1/2"	50	4'-2"
6	60	5'-0"	66	5'-6"	54 1/2"	4'-6 1/2"	60	5'-0"
7	71	5'-11"	77	6'-5"	64 1/2"	5'-4 1/2"	70	5'-10"
8	82	6'-10"	88	7'-4"	74 1/2"	6'-2 1/2"	80	6'-8"
9	93	7'-9"	99	8'-3"	84 1/2"	7'-0 1/2"	90	7'-6"
10	104	8'-8"	110	9'-2"	94 1/2"	7'-10 1/2"	100	8'-4"
11	115	9'-7"	121	10'-1"	104 1/2"	8'-8 1/2"	110	9'-2"
12	126	10'-6"	132	11'-0"	114 1/2"	9'-6 1/2"	120	10'-0"
13	137	11'-5"	143	11'-11"	124 1/2"	10'-4 1/2"	130	10'-10"
14	148	12'-4"	154	12'-10"	134 1/2"	11'-2 1/2"	140	11'-8"
15	159	13'-3"	165	13'-9"	144 1/2"	12'-0 1/2"	150	12'-6"
16	170	14'-2"	176	14'-8"	154 1/2"	12'-10 1/2"	160	13'-4"
17	181	15'-1"	187	15'-7"	164 1/2"	13'-8 1/2"	170	14'-2"
18	192	16'-0"	198	16'-6"	174 1/2"	14'-6 1/2"	180	15'-0"

DEFINITIONS: STARTER STAIRS START AT THE GROUND FLOOR, USUALLY RESTING ON A POURED PAD OR FOOTER. A CONTINUATION STAIR FITS IN BETWEEN AN INTERMEDIATE AND AN UPPER LANDING. THE "MASONRY OPENING" IS THE SPACE REQUIRED BETWEEN LANDINGS FOR A CONTINUATION STAIR TO FIT PROPERLY. SEE OUR STAIR DETAIL SHEET OR OUR SHOP DRAWINGS FOR FURTHER DETAILS.

POST OFFICE BOX 823 FORT MYERS, FL 33902-0823
PHONE (239) 332-1440 (800) 332-1440 FAX (239) 332-0370