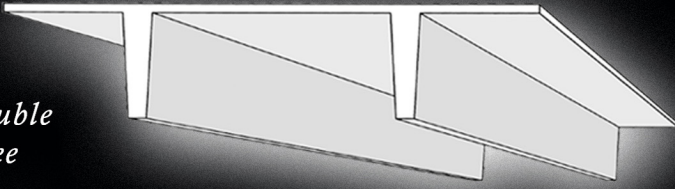
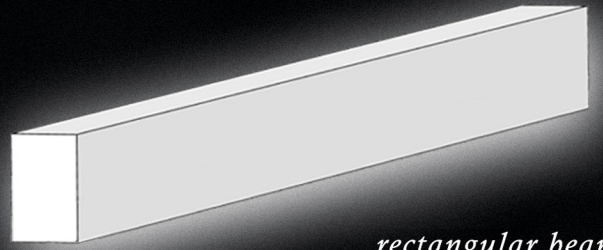


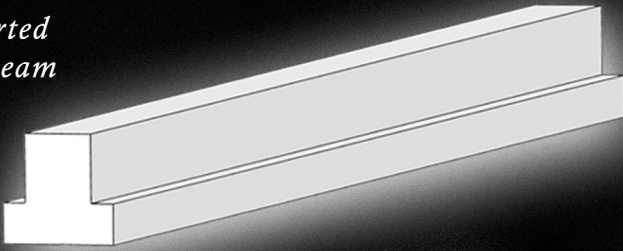
*double
tee*



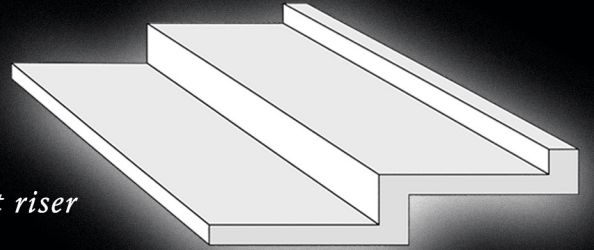
rectangular beam



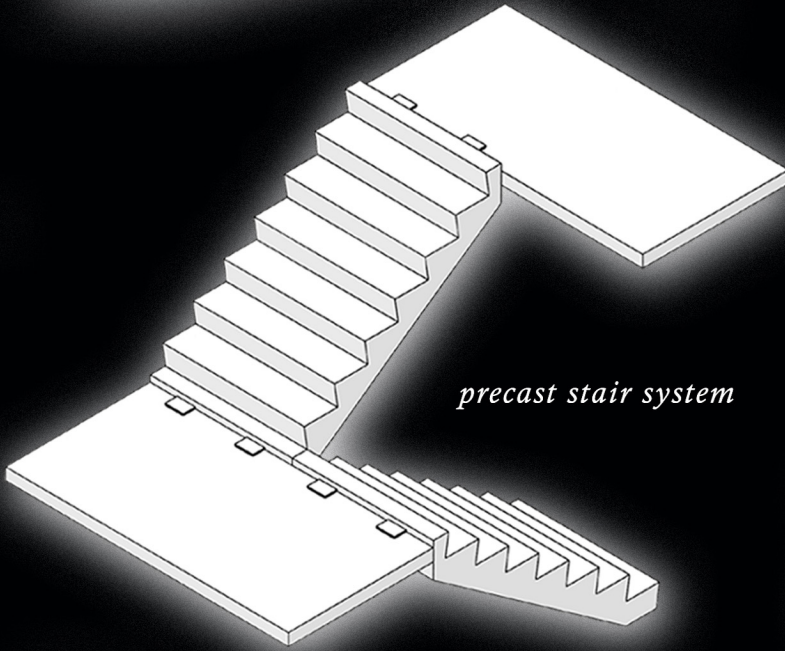
*inverted
tee beam*



seat riser



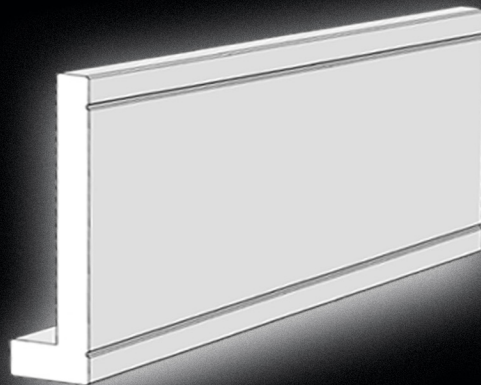
precast stair system



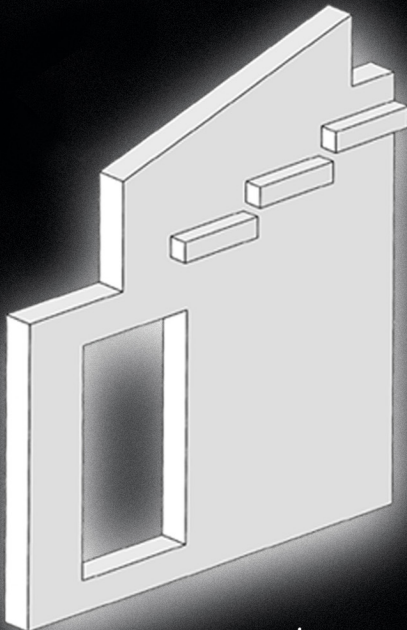
raker beam



*spandrel
panel*



*vomitory
wall panel*



columns

